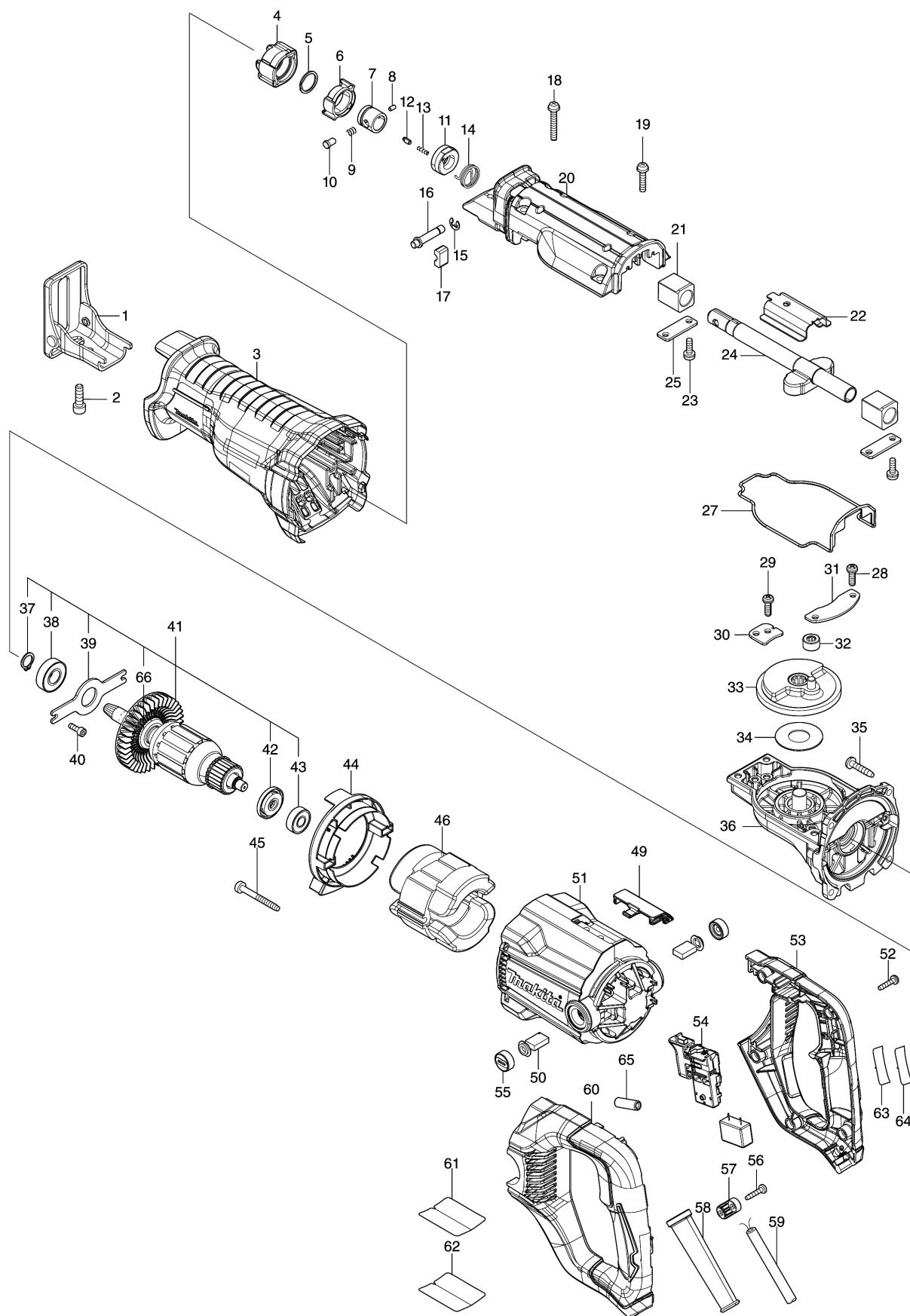


Model No. JR3051T RECIPRO SAW



Model No.JR3051T RECIPRO SAW

Position	Référence pièce	Description	Echange	QTE	New/Old	Option 1	Option 2	COMMENTAIRE
001	162704-3	SHOE		1				
002	265844-7	HEX. SOCKET HEAD BOLT M6X20		1		0	P1	
003	422537-1	INSULATION COVER		1				
004	422223-4	PROTECTOR		1				
005	257430-8	RETAINING RING(EXT)18		1				
006	310848-5	DRIVING SLEEVE		1				
007	327043-0	GUIDE SLEEVE		1				
008	268094-3	PIN 3		1		0	P3	
009	234381-2	COMPRESSION SPRING 6		1				
010	256569-4	SHOULDER PIN 5		1				
011	458968-8	CONNECTING SLEEVE		1				
012	310912-2	PUSH PIN		1				
013	232472-3	COMPRESSION SPRING 2		1				
014	233594-2	TORSION SPRING 17		1		0	P1	
015	961018-5	STOP RING E-5		1		0	P1	
016	256934-7	COLLARED PIN 6		1				
017	327441-8	BLOCK		1				
018	911258-5	PAN HEAD SCREW M5X35		2		0	P1	
019	911243-8	PAN HEAD SCREW M5X25		2		0	P1	
020	140R13-8	GEAR HOUSING COVER COMPLETE		1				
C10	213174-0	X RING 14		1		2	P8	
021	214169-6	PLANE BEARING 14		2			P3	
022	347596-3	SLIDE PLATE		1				
023	911225-0	PAN HEAD SCREW M5X16		4		0	P1	
024	162705-1	SLIDER		1				
025	341462-6	PLATE		2		65	P2	
027	422538-9	SEAL RING		1				
028	911225-0	PAN HEAD SCREW M5X16		2		0	P1	
029	911225-0	PAN HEAD SCREW M5X16		2		0	P1	
030	347597-1	GEAR PLATE A		1				
031	346715-8	GEAR PLATE		1			P1	
032	212959-1	NEEDLE BEARING 708		1		1	P5	
033	140R15-4	GEAR COMPLETE		1				
034	267290-0	FLAT WASHER 18		1		0	P1	
035	266459-3	TAPPING SCREW 5X25		4		0	P1	
036	140R12-0	GEAR HOUSING COMPLETE		1				
037	961052-5	RETAINING RING S-12		1		65	P1	
038	211131-2	BALL BEARING 6001DDW		1	*	8	P18	
038-1	210105-0	BALL BEARING 6001LLU	<	1		2	P7	
039	285036-2	BEARING RETAINER 80		1				
040	265353-6	HEX. SOCKET HEAD BOLT M4X12		2		0	P1	
041	511A03-0	ARMATURE ASS'Y 220-240V		1				
D10		INC. 37-39,42,43,66						

Please order the parts with part number.

Print Date 19/12/2019

Model No. JR3051T RECIPRO SAW

Position	Référence pièce	Description	Echange	QTE	New/Old	Option 1	Option 2	COMMENTAIRE
042	681644-1	INSULATION WASHER		1		65	P2	
043	210029-0	BALL BEARING 608ZZ		1		65	P2	
044	459919-4	BAFFLE PLATE		1				
045	266056-5	TAPPING SCREW 5X45		2		0	P3	
046	521894-5	FIELD ASS'Y 240V		1				
C10	654020-2	RING TERMINAL		2		1	P1	
C20	654501-6	CONNECTOR P-1.25		2		0	P3	
049	459920-9	HOOK COVER		1				
050	191963-2	CARBON BRUSH CB-303		1		9	P12	
051	140R14-6	MOTOR HOUSING COMPLETE		1				
C10	644501-4	BRUSH HOLDER 5X11		2			P67	
052	266326-2	TAPPING SCREW 4X18		5		65	P2	
053	183N40-8	HANDLE SET		1				
D10		INC. 60						
054	651374-8	SWITCH C3VT-2L-C-H50		1				
055	643750-0	BRUSH HOLDER CAP 7-11		2		0	P3	
056	266326-2	TAPPING SCREW 4X18		2		65	P2	
057	687124-5	STRAIN RELIEF		1		0	P1	
058	682574-9	CORD GUARD 10-90		1		0	P1	
059	665890-4	POWER SUPPLY CORD 1.0-2-4.0		1		13	P23	
060	183N40-8	HANDLE SET		1				
D10		INC. 53						
061	856M49-4	JR3051T NAME PLATE		1				
062	807G78-4	CLEAR LABEL		1				
063	856M54-1	JR3051T SERIAL NO. LABEL		1				
064	8010T0-1	CLEAR LABEL		1				
065	688165-4	LINE FILTER		1		0	P1	
066	241863-7	FAN 70		1		4	P13	
067	253804-1	FLAT WASHER 6		1		65	P2	
A02	821795-0	PLASTIC CASE		1				
C10	162315-4	LATCH		2		0	A3	
A03	8007C1-9	JR3051TK MODEL NO. LABEL		1				
A04	B-05038	RECIPRO SAW BLADE FOR METAL		1		10	A22	
A05	B-05044	RECIPRO SAW BLADE FOR PLYWOOD		1		10	A22	
A06	B-05153	RECIPRO SAW BLADE FOR WOOD		1		10	A22	

Please order the parts with part number.

Print Date 19/12/2019