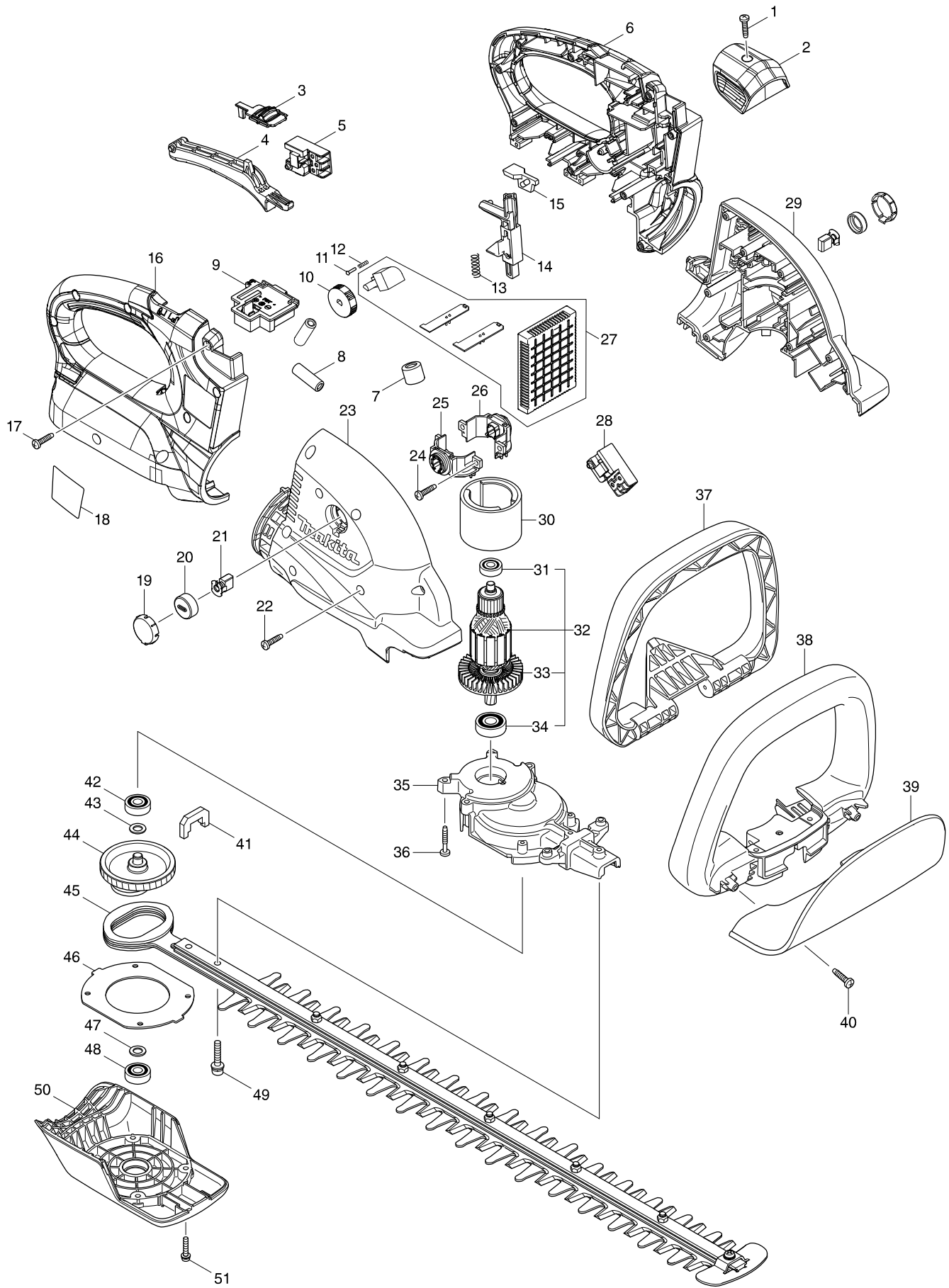


# Numéro du modèle DUH551 550MM CRDLSS HEDGE TRIMMER



| Position | Référence pièce | Description                 | Echelle | QTE | N/O | Option 1 | Option 2 | COMMENTAIRE |
|----------|-----------------|-----------------------------|---------|-----|-----|----------|----------|-------------|
| 001      | 265995-6        | VIS 4X18                    |         | 1   |     | P1       |          |             |
| 002      | 452164-0        | BOUTON                      |         | 1   |     | P12      |          |             |
| 003      | 455093-6        | LOCK OFF LEVER              |         | 1   |     |          |          |             |
| 004      | 455091-0        | SWITCH LEVER A              |         | 1   |     |          |          |             |
| 005      | 650730-9        | SWITCH TG72BD-6             |         | 1   |     |          |          |             |
| 006      | 187879-7        | HANDLE SET                  |         | 1   |     |          |          |             |
| C10      | 263005-3        | CHEVILLE CAOUTCHOUC 6       |         | 4   |     | P2       |          |             |
| C20      | 803N80-7        | INDICATION LABEL            |         | 1   |     |          |          |             |
| D10      |                 | INC. 16                     |         |     |     |          |          |             |
| 007      | 688163-8        | PASSE-FIL                   |         | 1   |     | P1       |          |             |
| 008      | 688165-4        | PASSE-FIL                   |         | 2   |     | P1       |          |             |
| 009      | 644808-8        | SUPPORT                     |         | 2   |     | P5       |          |             |
| 010      | 271427-3        | BOUTON DE REGLAGE 28        |         | 1   |     | P2       |          |             |
| 011      | 255058-6        | VIS 2                       |         | 1   |     | P1       |          |             |
| 012      | 233002-3        | RESSORT 3                   |         | 1   |     | P2       |          |             |
| 013      | 233117-6        | RESSORT 6                   |         | 1   |     | P1       |          |             |
| 014      | 452162-4        | LEVIER DE BLOCAGE           |         | 1   |     | P8       |          |             |
| 015      | 455092-8        | SLIDER                      |         | 1   |     |          |          |             |
| 016      | 187879-7        | HANDLE SET                  |         | 1   |     |          |          |             |
| C10      | 263005-3        | CHEVILLE CAOUTCHOUC 6       |         | 4   |     | P2       |          |             |
| C20      | 803N80-7        | INDICATION LABEL            |         | 1   |     |          |          |             |
| D10      |                 | INC. 6                      |         |     |     |          |          |             |
| 017      | 265995-6        | VIS 4X18                    |         | 10  |     | P1       |          |             |
| 018      | 815P92-0        | DUH551 NAME PLATE           |         | 1   |     |          |          |             |
| 019      | 452145-4        | BOUCHON                     |         | 2   |     | P3       |          |             |
| 020      | 643941-3        | BOUCHON PORTE CHARBON CB429 |         | 2   |     | P7       |          |             |
| 021      | 194928-3        | JEU DE CHARBON CB-442       |         | 1   |     | P10      |          |             |
| 022      | 265995-6        | VIS 4X18                    |         | 8   |     | P1       |          |             |
| 023      | 187878-9        | HOUSING SET                 |         | 1   |     |          |          |             |
| C10      | 263025-7        | CHEVILLE CAOUTCHOUC 4       |         | 4   |     | P1       |          |             |
| D10      |                 | INC. 29                     |         |     |     |          |          |             |
| 024      | 265995-6        | VIS 4X18                    |         | 2   |     | P1       |          |             |
| 025      | 644511-1        | BRUSH HOLDER                |         | 1   |     |          |          |             |
| 026      | 644512-9        | BRUSH HOLDER                |         | 1   |     |          |          |             |
| 027      | 620274-3        | CONTROLLER                  |         | 1   |     |          |          |             |
| 028      | 650730-9        | SWITCH TG72BD-6             |         | 1   |     |          |          |             |
| 029      | 187878-9        | HOUSING SET                 |         | 1   |     |          |          |             |
| C10      | 263025-7        | CHEVILLE CAOUTCHOUC 4       |         | 4   |     | P1       |          |             |
| D10      |                 | INC. 23                     |         |     |     |          |          |             |
| 030      | 638020-0        | AIMANT BTW200               |         | 1   |     | P32      |          |             |
| 031      | 211022-7        | ROULEMENT A BILLES 607ZZ    |         | 1   |     | P11      |          |             |
| 032      | 519261-6        | INDUIT CPL 36V              |         | 1   |     | P30      |          |             |
| D10      |                 | INC. 31,33,34               |         |     |     |          |          |             |
| 033      | 240045-8        | VENTILATEUR 55              |         | 1   |     | P3       |          |             |
| 034      | 211062-5        | ROULEMENT A BILLES 6000ZZ   |         | 1   |     | P14      |          |             |
| 035      | 140604-7        | CARTER D'ENGRENAGE CPL      |         | 1   |     | P30      |          |             |
| C10      | 263002-9        | CHEVILLE CAOUTCHOUC 4       |         | 1   |     | P1       |          |             |
| 036      | 265999-8        | VIS A COLLERETTE 4X25       |         | 6   |     | P1       |          |             |

| Position | Référence pièce | Description              | Echelle | QTE | N/O | Option 1 | Option 2 | COMMENTAIRE |
|----------|-----------------|--------------------------|---------|-----|-----|----------|----------|-------------|
| 037      | 452160-8        | LEVIER D'INTERRUPTEUR B  |         | 1   |     | P17      |          |             |
| 038      | 452158-5        | POIGNEE AVANT            |         | 1   |     | P19      |          |             |
| 039      | 452147-0        | PROTECTEUR               |         | 1   |     | P14      |          |             |
| 040      | 265995-6        | VIS 4X18                 |         | 2   |     | P1       |          |             |
| 041      | 443142-1        | CACHE POUSSIERE          |         | 1   |     | P1       |          |             |
| 042      | 211032-4        | ROULEMENT A BILLES 608ZZ |         | 1   |     | P9       |          |             |
| 043      | 253835-0        | RONDELLE PLATE 8         |         | 1   |     | P2       |          |             |
| 044      | 140536-8        | PIGNON CPL               |         | 1   |     | P33      |          |             |
| 045A     | 194671-4        | LAME CPL                 |         | 1   | *   | P35      |          |             |
| C10      | 252184-2        | ECROU M5-8               |         | 5   | *   | P1       |          |             |
| C20      | 257717-8        | ENTRETOISE 5             |         | 7   | *   | P3       |          |             |
| C30      | 265181-9        | VIS TETE RONDE M5X20     |         | 5   | *   | P1       |          |             |
| C40      | 345205-8        | BARRE                    |         | 1   | *   | P1       |          |             |
| C50      | 911208-0        | VIS M5X10                |         | 1   | *   | P3       |          |             |
| C60      | 188605-7        | DOSETTE D'HUILE          |         | 1   | *   | P3       |          |             |
| 045-1A   | 196687-5        | SHEAR BLADE ASS'Y SET    | O       | 1   |     |          |          |             |
| C10      | 252184-2        | ECROU M5-8               |         | 5   |     | P1       |          |             |
| C20      | 257717-8        | ENTRETOISE 5             |         | 7   |     | P3       |          |             |
| C30      | 265181-9        | VIS TETE RONDE M5X20     |         | 5   |     | P1       |          |             |
| C40      | 345205-8        | BARRE                    |         | 1   |     | P1       |          |             |
| C50      | 911208-0        | VIS M5X10                |         | 1   |     | P3       |          |             |
| C60      | 188605-7        | DOSETTE D'HUILE          |         | 1   |     | P3       |          |             |
| 045-1B   | 196687-5        | SHEAR BLADE ASS'Y SET    |         | 1   |     |          |          |             |
| C10      | 252184-2        | ECROU M5-8               |         | 5   |     | P1       |          |             |
| C20      | 257717-8        | ENTRETOISE 5             |         | 7   |     | P3       |          |             |
| C30      | 265181-9        | VIS TETE RONDE M5X20     |         | 5   |     | P1       |          |             |
| C40      | 345205-8        | BARRE                    |         | 1   |     | P1       |          |             |
| C50      | 911208-0        | VIS M5X10                |         | 1   |     | P3       |          |             |
| C60      | 188605-7        | DOSETTE D'HUILE          |         | 1   |     | P3       |          |             |
| 046      | 346325-1        | PLAQUE                   |         | 1   |     | P3       |          |             |
| 047      | 253835-0        | RONDELLE PLATE 8         |         | 1   |     | P2       |          |             |
| 048      | 211032-4        | ROULEMENT A BILLES 608ZZ |         | 1   |     | P9       |          |             |
| 049      | 265182-7        | VIS M5X25                |         | 2   |     | P1       |          |             |
| 050      | 452156-9        | BASE                     |         | 1   |     | P16      |          |             |
| 051      | 911138-5        | VIS TETE RONDE M4X20     |         | 4   |     | P1       |          |             |
| A01      | 450489-6        | COUVERCLE DE LAME        |         | 1   |     | A8       |          |             |
| A02B     | ***DC18RC       | DC18RC FAST CHARGER      |         | 1   |     |          |          |             |
| A03B     | 196399-0        | BATTERY BL1840 SET       |         | 2   | *   | A78      |          |             |
| A03-1B   | 197265-4        | BATTERY BL1840B SET      | <       | 2   |     |          |          |             |
| E01      | 891003-3        | SOUND 93DB LABEL         |         | 1   |     |          |          |             |
|          |                 |                          |         |     |     |          |          |             |
|          |                 |                          |         |     |     |          |          |             |
|          |                 |                          |         |     |     |          |          |             |
|          |                 |                          |         |     |     |          |          |             |
|          |                 |                          |         |     |     |          |          |             |
|          |                 |                          |         |     |     |          |          |             |
|          |                 |                          |         |     |     |          |          |             |
|          |                 |                          |         |     |     |          |          |             |
|          |                 |                          |         |     |     |          |          |             |
|          |                 |                          |         |     |     |          |          |             |
|          |                 |                          |         |     |     |          |          |             |
|          |                 |                          |         |     |     |          |          |             |