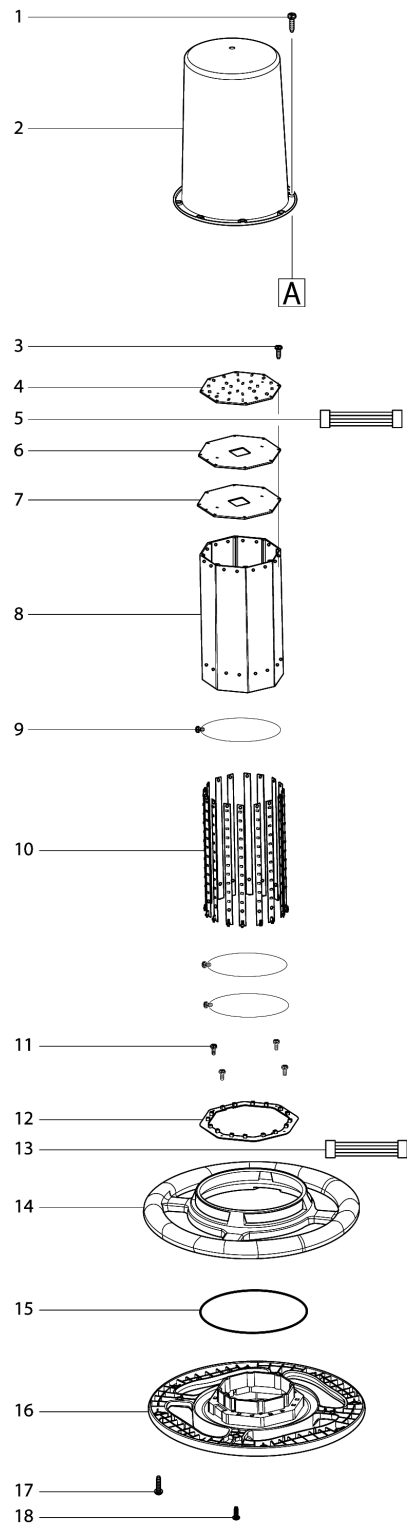
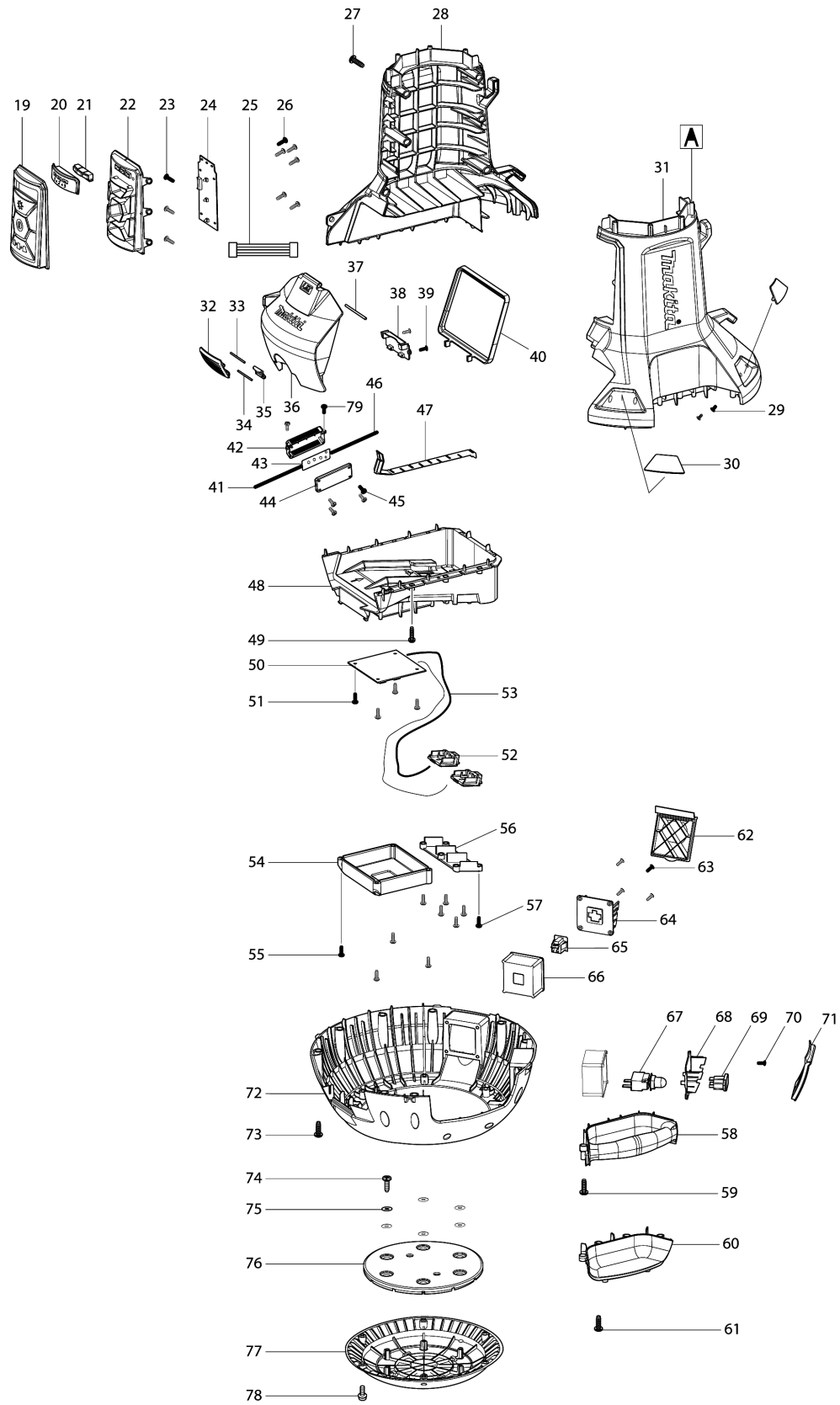


Model No.DML810 CORDLESS AREA WORKLIGHT



Model No.DML810 CORDLESS AREA WORKLIGHT



Model No.DML810 CORDLESS AREA WORKLIGHT

Position	Référence pièce	Description	Echange	QTE	New/Old	Option 1	Option 2	COMMENTAIRE
001	QY00000001	TAPPING SCREW 4X20		8				
002	QY00000002	LED COVER		1				
003	QY00000003	TAPPING SCREW 3.5X14		8				
004	QY00000004	LED PLATE		1				
005	QY00000005	WIRE UNIT 6X300		1				
006	QY00000006	INSULATION PLATE		1				
007	QY00000007	HEAT SINK PLATE COVER		1				
008	QY00000008	HEAT SINK PLATE		1				
009	QY00000009	TAPPING SCREW 3X6		48				
010	QY00000010	LED PLATE LONG		16				
011	QY00000011	TAPPING SCREW 3X12		4				
012	QY00000012	DISTRIBUTION UNIT FOR LED		1				
013	QY00000013	WIRE UNIT 6X1000		1				
014	QY00000014	CIRCLE HANDLE UPPER		1				
015	QY00000015	O-RING		1				
016	QY00000016	CIRCLE HANDLE LOWER		1				
017	QY00000001	TAPPING SCREW 4X20		8				
018	QY00000017	TAPPING SCREW 3.5X14		12				
019	QY00000018	SWITCH COVER		1				
020	QY00000019	INDICATOR COVER		1				
021	QY00000020	INDICATOR UNIT		1				
022	QY00000021	SWITCH PCB BASE		1				
023	QY00000017	TAPPING SCREW 3.5X14		3				
024	QY00000022	SWITCH UNIT		1				
025	QY00000023	WIRE UNIT 10X850		1				
026	QY00000017	TAPPING SCREW 3.5X14		6				
027	QY00000024	TAPPING SCREW 5X20		6				
028	QY00000073	HOUSING SET		1				
D10		INC. 31						
029	QY00000026	TAPPING SCREW 3X8		8				
030	QY00000027	REFLECTOR		4				
031	QY00000073	HOUSING SET		1				
D10		INC. 28						
032	QY00000029	LATCH		1				
033	QY00000030	PIN 2.5X73		1				
034	QY00000031	PIN 4X75		1				
035	QY00000032	BATTERY COVER PLATE		1				
036	QY00000033	BATTERY COVER		1				
037	QY00000034	PIN 2.5X52.5		1				
038	QY00000035	BATTERY COVER BASE		1				
039	QY00000036	TAPPING SCREW 3X12		2				
040	QY00000037	BATTERY COVER PACKING		1				
041	QY00000038	CABLE		1	*			
041-1	QY00000092	CABLE	X	1				

Please order the parts with part number.

Print Date 8/2/2021

Model No.DML810 CORDLESS AREA WORKLIGHT

Position	Référence pièce	Description	Echange	QTE	New/Old	Option 1	Option 2	COMMENTAIRE
042	QY00000039	POWER UNDER COVER		1				
043	QY00000040	PCB BOARD		1				
044	QY00000041	POWER COVER		1				
045	QY00000011	TAPPING SCREW 3X12		4				
046	QY00000042	WIRE UNIT 400		1				
047	QY00000043	PACKING		1				
048	QY00000044	BATTERY BOX LOWER		1				
049	QY00000001	TAPPING SCREW 4X20		8				
050	QY00000045	MAIN CONTROLER UNIT		1				
051	QY00000017	TAPPING SCREW 3.5X14		4				
052	QY00000046	TERMINAL		2				
053	QY00000047	WIRE UNIT 300		2				
054	QY00000048	CONTROLER BOX		1				
055	QY00000017	TAPPING SCREW 3.5X14		4				
056	QY00000049	BATTERY TERMINAL FIX PLATE		1				
057	QY00000017	TAPPING SCREW 3.5X14		6				
058	QY00000050	UPPER GRIP		1				
059	QY00000024	TAPPING SCREW 5X20		3				
060	QY00000051	LOWER GRIP		1				
061	QY00000024	TAPPING SCREW 5X20		4				
062	QY00000052	AC OUTPUT SOCKET COVER		1				
063	QY00000036	TAPPING SCREW 3X12		4				
064	QY00000071	AC OUTPUT SOCKET FLAME B		1				
065	QY00000067	AC OUTPUT SOCKET D		1				
066	QY00000055	SOCKET CASE		2				
067	QY00000056	HUSE SET		1				
068	QY00000057	AC INPUT SOCKET FRAME		1				
069	QY00000058	AC INPUT POWER CONNECTOR		1				
070	QY00000036	TAPPING SCREW 3X12		6				
071	QY00000059	AC INPUT SOCKET COVER		1				
072	QY00000060	LOWER HOUSING		1				
073	QY00000024	TAPPING SCREW 5X20		11				
074	QY00000024	TAPPING SCREW 5X20		6				
075	QY00000061	WASHER 5		6				
076	QY00000062	WEIGHT		1				
077	QY00000063	WEIGHT COVER		1				
078	QY00000064	PAN HEAD SCREW M5X20		6				
079	QY00000011	TAPPING SCREW 3X12		4				
A01	QY00000081	POWER SUPPLY CORD 2500 D		1				

Please order the parts with part number.

Print Date 8/2/2021