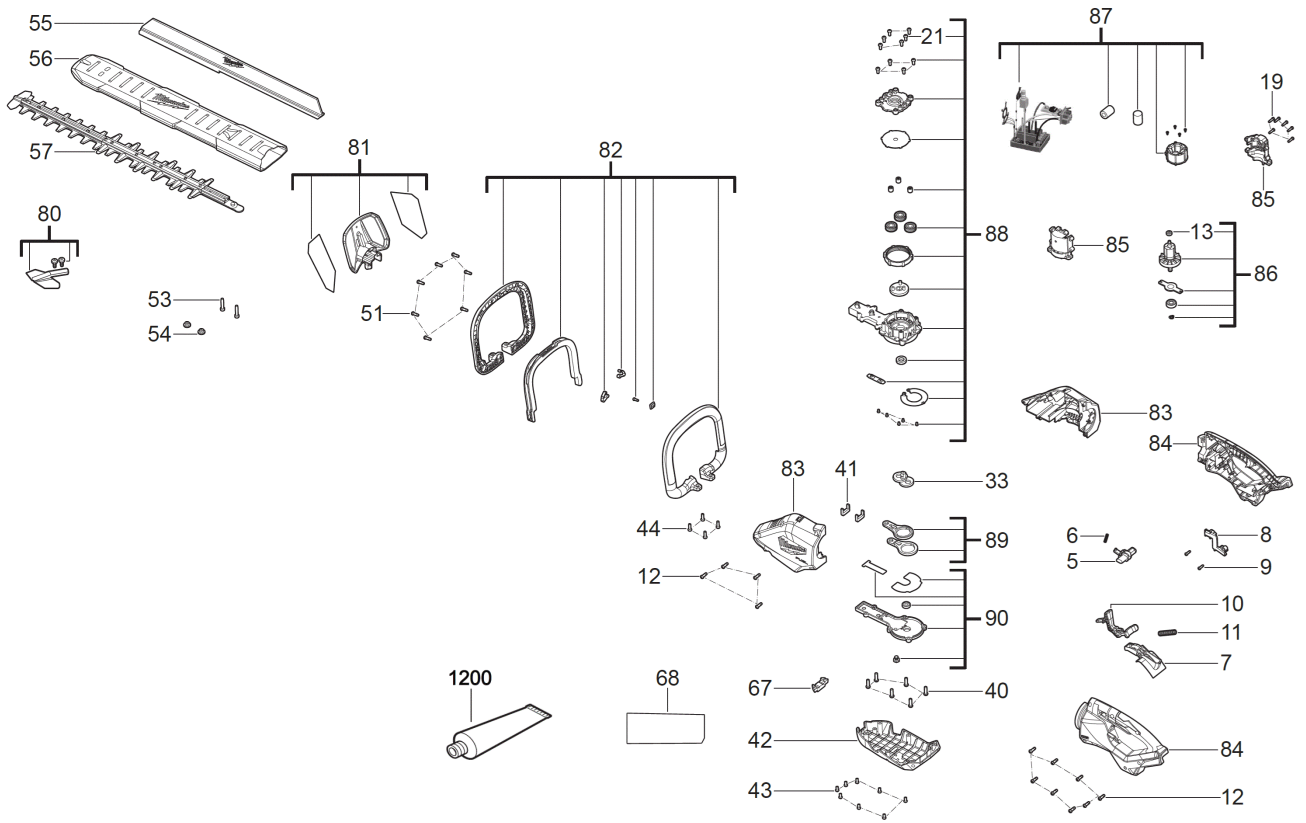


M18 FHET60G2-0 - TAILLE-HAIES 60 CM

4933498384 - M18FHET60G2-0 - 4000503873





Position	Quantity	Description	Part number	EAN
0005 1	1	BOUTON POUSSOIR	4931461361	4058546035334
0006 2	1	RESSORT	4931506893	4058546562076
0007 3	1	TRINGLE	4931506894	4058546562083
0008 4	1	COUVERCLE	4931506895	4058546562090
0009 5	2	VIS	4931496186	4058546533236
0010 6	1	COULISSEAU	4931506896	4058546562106
0011 7	1	RESSORT	4931506897	4058546562113
0012 8	12	VIS	4931479948	4058546397111
0013 9	1	ROULEMENT A BILLES	4931495379	4058546490478
0019 10	6	VIS	4931465499	4058546235994
0021 11	10	VIS	4931494244	4058546468163
0033 12	1	ARBRE A CAMES	4931506898	4058546562120
0040 13	6	VIS	4931466683	4058546279004
0041 14	2	JOINT	4931506899	4058546562137
0042 15	1	COUVERCLE	4931506900	4058546562144
0043 16	8	VIS	4931472686	4058546329884
0044 17	4	VIS	4931506901	4058546562151
0051 18	7	VIS	4931496932	4058546552466
0053 19	2	VIS	4931506902	4058546562168
0054 20	2	BAGUE	4931461351	4058546035235
0055 21	1	COVER PLATE	4931506903	4058546562175
0056 22	1	COVER PLATE	4931506904	4058546562182
0057 23	1	LAME	4931506905	4058546562199
0067 24	1	PLAQ.EN CAOUTCHOUC	4931506906	4058546562205
0068 25	1	PLAQUE SIGNALETIQUE	4931506907	4058546562212
0080 26	1	CARTER PROTECTION	4931506908	4058546562229
0081 27	1	PROTECTION D.MAINS	4931506909	4058546562236
0082 28	1	POIGNEE CPTE	4931506910	4058546562243
0083 29	1	COUVERCLE D.POIGNEE	4931506911	4058546562250
0084 30	1	CARTER	4931506912	4058546562267
0085 31	1	CARTER MOTEUR	4931506913	4058546562274
0086 32	1	INDUIT	4931506914	4058546562281
0087 33	1	ELECTRONIQUE	4931506915	4058546562298
0088 34	1	PLAQUE D"ENGRENAGES	4931506916	4058546562304
0089 35	1	BIELLE	4931506917	4058546562311
0090 36	1	COUVERCLE	4931506918	4058546562328
1200 37	1	GRAISSE	49084220	4002395786978